

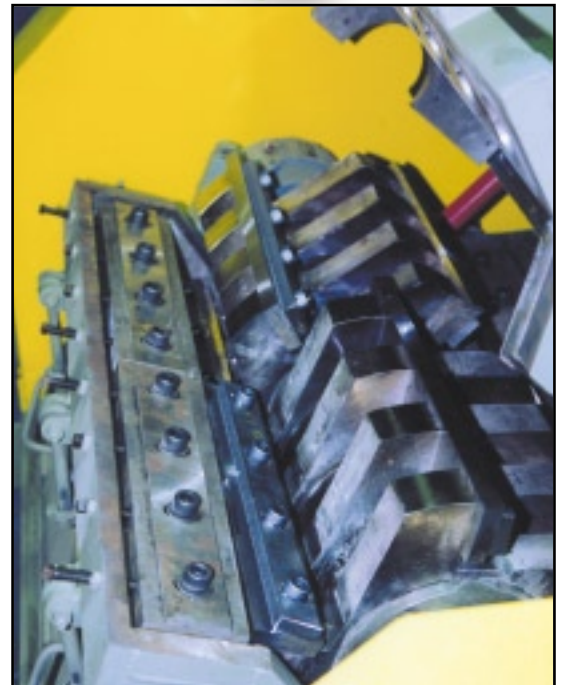
## SR and OR Series Heavy Duty Granulators

Jordan's Solid Rotor (SR) and Open Rotor (OR) Heavy Duty Granulators are engineered for years of trouble free operation. This equipment has many features that make them ideal for many applications. They can also be customized to meet your specific needs.

### Features & Benefits:

- ▼ Cutting chamber is constructed of heavy duty, carbon steel plate which is welded and stress relieved prior to final machining.
- ▼ 3 or 5 blade rotor for higher output.
- ▼ Dual Scissor cutting action of rotor/bed knives saves energy, reduces fines, and lowers the cutting torque requirements.
- ▼ Adjustable bed and fly knives are made of hardened tool steel.
- ▼ Hydraulic actuated screen cradle and top hood provides easy access to knife and screen area for quick clean-out between material changes and easy screen and knife maintenance.
- ▼ Open rotor design provides greater air and material flow during the cutting process providing increased throughput at cooler temperatures.
- ▼ Solid rotor design features shorter, staggered fly knives with greater rotor inertia for processing higher density materials.
- ▼ Heavy duty, double row, self aligning spherical roller bearings mounted outboard for ease of maintenance and prevention of contamination.
- ▼ Structural base is constructed of welded, heavy duty structural sections.

continued on back



The hydraulically actuated screen and knife chamber provides easy access for quick turnarounds.

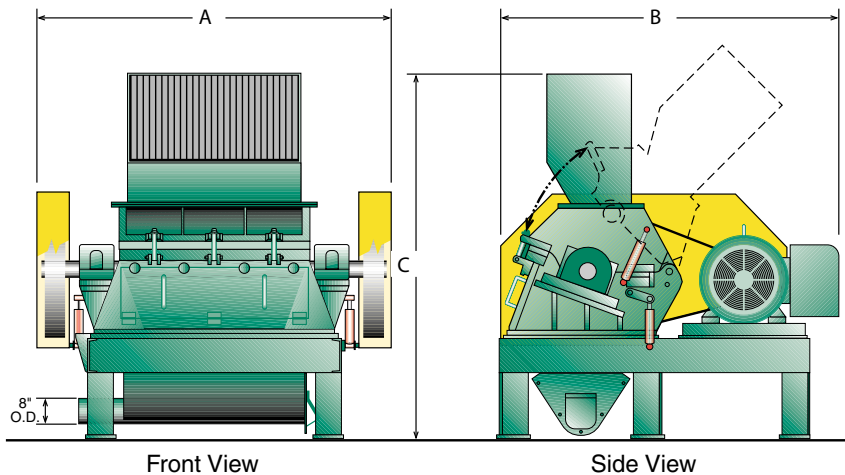
## Features & Benefits

- ▼ Dual flywheel design is available to provide greater rotor inertia allowing the unit to work more efficiently with less horsepower and lower power costs.
- ▼ Across-the-line motor starters are standard. Soft-start is available as an option.
- ▼ Customized controls with PLC interface are available.
- ▼ Manual or conveyor feed is available.
- ▼ Hopper & evacuation bins are constructed of heavy gauge steel.
- ▼ Units are available as air or gravity discharge.
- ▼ Knife jig is available for presetting knife clearance prior to knife change-out (optional).

## Combination Systems



Jordan's Heavy Duty Granulators can be combined with other equipment to optimize the reduction process. This system employs a slow speed shredder, conveyors and a high speed granulator to reduce rubber pads to a 1/8" final product.



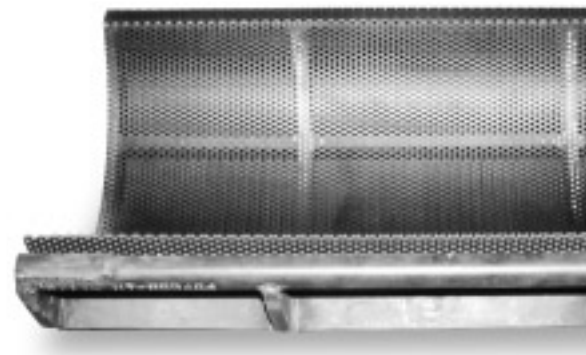
## Open and Solid Rotor Choppers

Model No.	18x25-OR	18x25-SR	18x40-OR	18x40-SR	22x60-OR
Feed Opening (Std.)	12"x25"	12"x25"	12"x40"	12"x40"	16"x60"
Discharge Opening	28"x25"	28"x25"	28"x40"	28"x40"	28"x60"
No of Rotating Knives	10	40	10	65	15
Stationary Knives	2	2	4	4	6
Cutting Cylinder Diameter	18"	18"	18"	18"	22"
Length of Knives (total)	25"	25"	40"	40"	60"
Overall Width (A)	67"	67"	81"	81"	88"
Overall Length (B)	81"	81"	81"	81"	88"
Overall Width (C)	85"	85"	85"	85"	100"
Motor HP (Std.)	125	125	200	200	250
Shaft RPM*	850	850	850	850	850
Weight (Approx.)	7,000	8,000	9,000	10,500	16,000

All units feature hydraulic cutting chamber access and screen removal systems.

\*RPMs varies depending on the material being reduced. OR = Open Rotor Models SR = Solid Rotor Models

Visit our web site: [www.jordanreductionsolutions.com](http://www.jordanreductionsolutions.com)



Screen hole opening determines the final size of the granules. Screens are available with .045" to 4" diameter holes.

Authorized Distributor:



P.O. BOX 170339 • 355 CLOW LANE • BIRMINGHAM, ALABAMA 35217  
 TOLL FREE 1-888-733-8248 • FAX 1-205-849-5075  
 E-MAIL [sales@jordanreductionsolutions.com](mailto:sales@jordanreductionsolutions.com)  
[www.jordanreductionsolutions.com](http://www.jordanreductionsolutions.com)